

# MP210UB Integrated Mixer Amplifier with Audio Source & Phantom Power



## Features

- The integral broadcasting power amplifier integrating MP3 player, FM tuner, zoner(6 zones), preamplifier and power amplifier.
- MP3/TUNER is subject to remote control, and it is possible to control the conversion between MP3/TUNER, selection of program, adjustment of volume, option repeat mode, and selection of EQ mode and so on by means of infrared remote control; and selection USB/SD.
- LED digital tube displaying volume, playing status, program number and so on.
- 2MIC inputs, 3AUX inputs, and 1AUX output.
- 4-16  $\Omega$  rated output.
- 6-zone output.
- Individual volume control and output level indication for each zone output.
- Mute function for priority input.
- Treble and Bass control
- Chime with priority output
- 5-unit LED Meter for monitoring volume output in each zone.
- Output short circuit protection and caution.

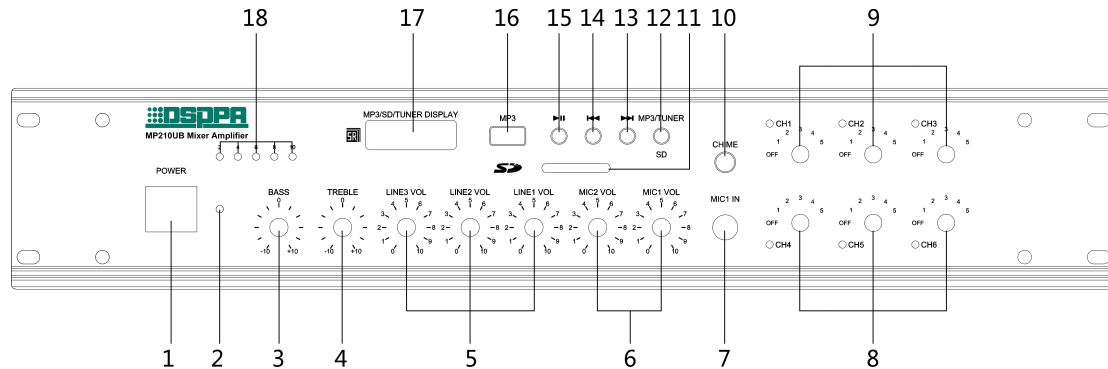
## Description

This mixing amplifier is rated at 60W. 100V and 4-16  $\Omega$  speaker output are provided. There are 4 microphones inputs and 3 line inputs, FM, USB, SD audio sources. Bass and treble controls and master volume control are provided. This amplifier can be applied to different occasions, such as supermarket, classroom, etc. Extensive protection from short-circuit, overload and high temp is ensured. Automatic cooling system ensures the extreme quite sound system.

## Specification

Model	MP-210UB	MP-310UB	MP-610UB	MP-1010UB
Rated Output	60W	120W	250W	350W
Output Regulation	Less than 3dB, from off-load to full load			
Input sensitivity	Microphone : $\leq 3\text{mV}$ (unbalanced)			
	Line: $\leq 300\text{mV}$ (unbalanced)			
Frequency Response	80Hz-16kHz ( $\pm 3\text{dB}$ )			
Distortion	Less than 1% (at 1kHz, 1/3 rated output voltage)			
Ratio of Signal to Noise	MIC: more than 71dB			
	LINE: more than 85dB			
Tone	Bass: $\pm 10\text{dB}$ (at 100Hz)			
	Treble: $\pm 10\text{dB}$ (at 10kHz)			
Protection	DC voltage; overload; short-circuit.			
Mute	Input signals from MIC 1 override other input signals			
Power Supply	AC 220V/50Hz			
Power Consumption	120W	250W	500W	650W
Outer Packing Size(mm)	(L $\times$ W $\times$ H)520 $\times$ 430 $\times$ 195			
Unit Size (mm)	(L $\times$ W $\times$ H)418 $\times$ 338 $\times$ 88			
Gross Weight	11.7kg	13.5kg	16kg	17kg
Net Weight	9.7kg	11.5kg	14kg	15kg

## Front Panel

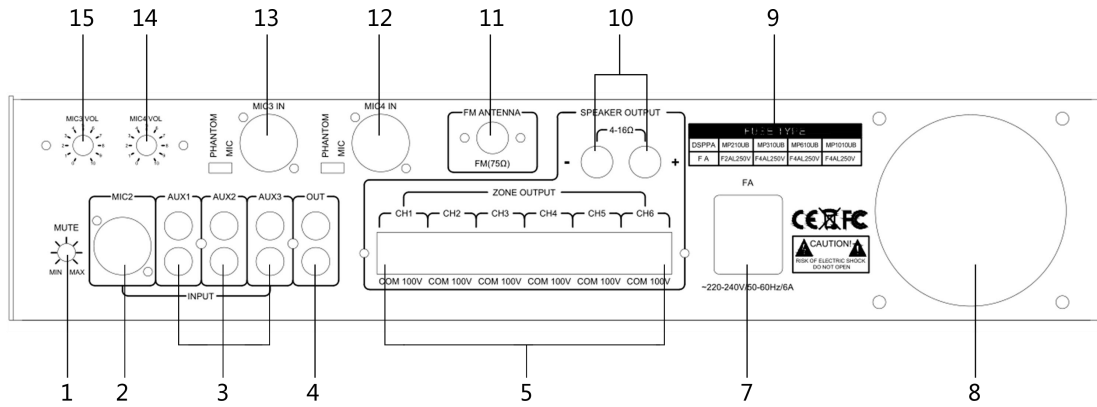


1. Power Switch
2. LED Power Indicator
3. Bass Adjustment Button
4. Treble Adjustment Button
5. Line Input Volume Adjustment Button
6. MIC Input Volume Adjustment Button
7. MIC 1 Priority Input Jack
8. Zone Volume Adjustment Button (1-6)
9. Zone Level Indicator
10. Chime Button
11. MP3 SD Jack
12. MP3/tuner select key
13. MP3/tuner status operation key
14. MP3/tuner status operation key
15. MP3/tuner status operation key
16. MP3 USB Jack
17. MP3/tuner status display
18. Five-unit LED Level Meter

### Note:

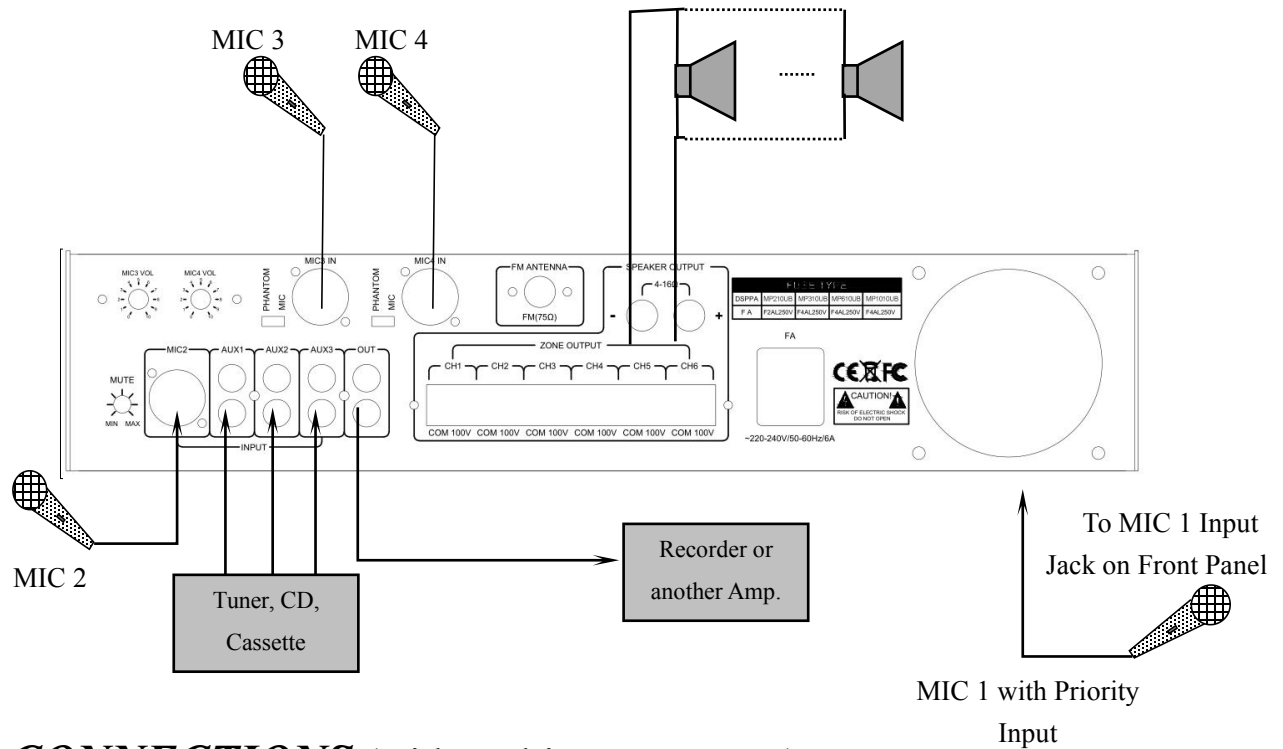
**When all five units of the LED level meter remain lit, it indicates that the sound is distorted. In such case, adjusting each volume adjustment button until LED unit 4 (+8dB) and LED unit 5 (+10dB) flash.**

## Rear Panel

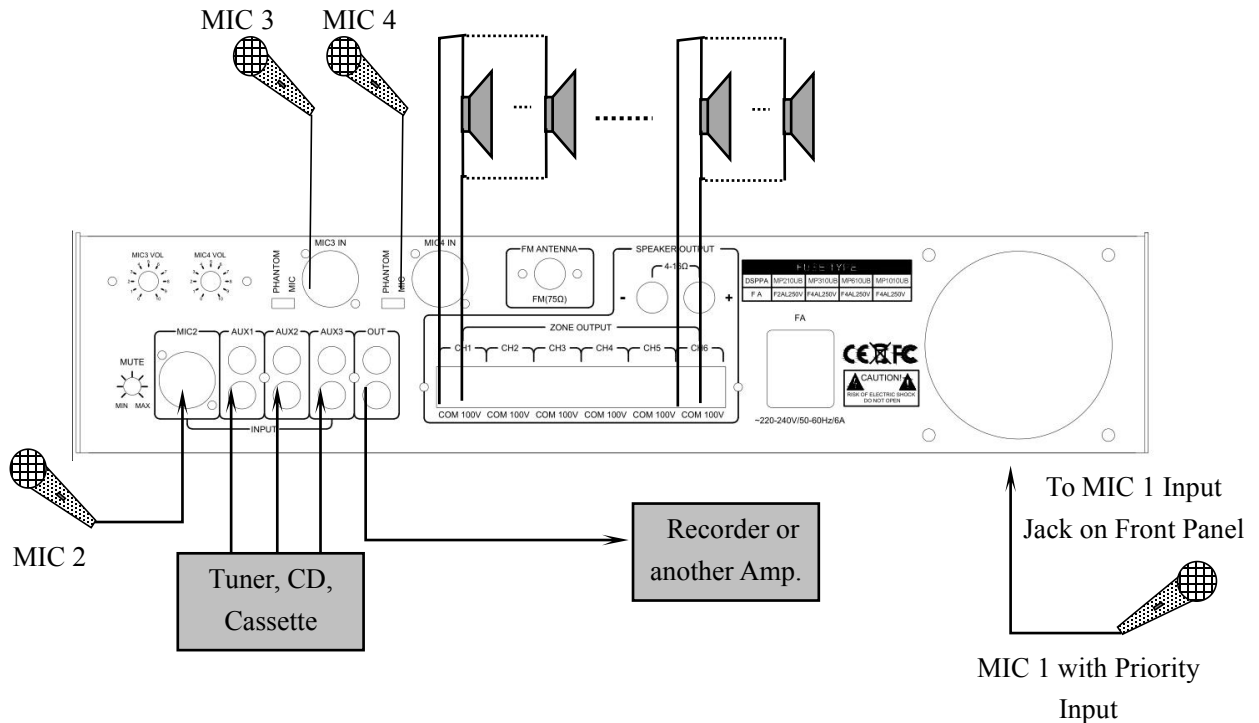


1. Mute control Button
2. MIC 2 Input Jack
3. AUX Input Jack 1, 2, 3
4. AUX Output Jack  
(Link with another amplifier or recording equipment)
5. 6-zone Output
6. AC Power Source Insert
7. Fan Exhaust Window
8. Speaker Output Terminal
9. AC Power Fuse
10. FM antenna Jack
11. MIC4 Input Jack
12. MIC3 Input Jack
13. Microphone and phantom power supply switching key
14. MIC4 Input Volume Button
15. MIC3 Input Volume Button

**CONNECTIONS** (without multi-zone outputs)



**CONNECTIONS** (with multi-zone outputs)



**Note:**

Individual zone opening and closing may be achieved by adjusting **Zone Volume Adjustment Button on Front Panel**.