

## D6267B Conference Clamshell Slot



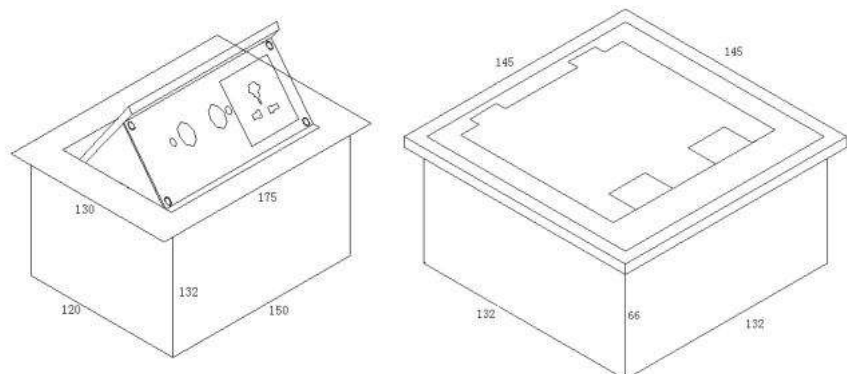
### Description

D6267B conference socket is D62 series intelligent digital conference system dedicated microphone ground hidden interface box, with two standard 8-core DCN male socket and 1 AC220V three-hole universal power supply socket, easy to use, beautiful, can be widely used in all kinds of multi-function hall, lecture hall and other conference occasions.

### Features

- Pre-buried to connect with conference unit.
- To be connected with unit of D62 series intelligent digital conference system.
- Interface: two 8-pin DCN male socket, one AC220V three-hole universal power supply socket.
- All socket is insulated with earth wire. Please make sure ground wire is separated.

### Front / Rear Panel



As is shown in the picture above, on the left is the dimension of D6272. Ground installation depth is at least 132mm. On the right is the dimension of D6272B. Ground installation depth is at least 72 (66+6) mm.