

D5881 D5881L D5882 D5882L
D5883 D5883L D5884 D5884L D5885L
True Diversity Wireless Microphone System



D5817 UHF Wireless Microphone System for 8 Microphones



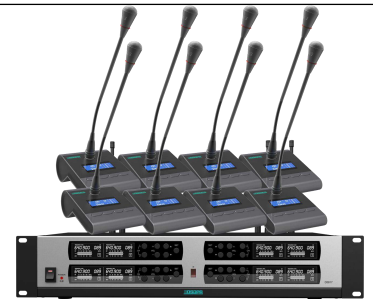
D5881 UHF Wireless Receiver
+ 8 Handheld MICs



D5882 UHF Wireless Receiver
+ 8 Lavalier MICs + 8
Waist-Mounted Transmitters



D5883 UHF Wireless Receiver
+ 8 Headset MICs + 8
Waist-Mounted Transmitters



D5884 UHF Wireless Receiver
+ 8 Battery-Powered Desktop
MICs



D5881L UHF Wireless Receiver
+ 8 Rechargeable Handheld
MICs



D5882L UHF Wireless Receiver
+ 8 Lavalier MICs + 8
Rechargeable Waist-Mounted
Transmitters



D5883L UHF Wireless Receiver
+ 8 Headset MICs + 8
Rechargeable Waist-Mounted
Transmitters



D5884L UHF Wireless Receiver
+ 8 Rechargeable Desktop
MICs



D5885L UHF Wireless Receiver + 8 Rechargeable Desktop Mics

Description

This product is a professional wireless microphone system. D5817 is the wireless microphone receiver, which can work with eight transmitters to form a wireless microphone system. Using eight-channel PLL phase-locked loop design, it features UHF 200-channel PLL digital lock for automatic communication, and a display screen to display the frequency, channel, squelch, and electrical level.

Features

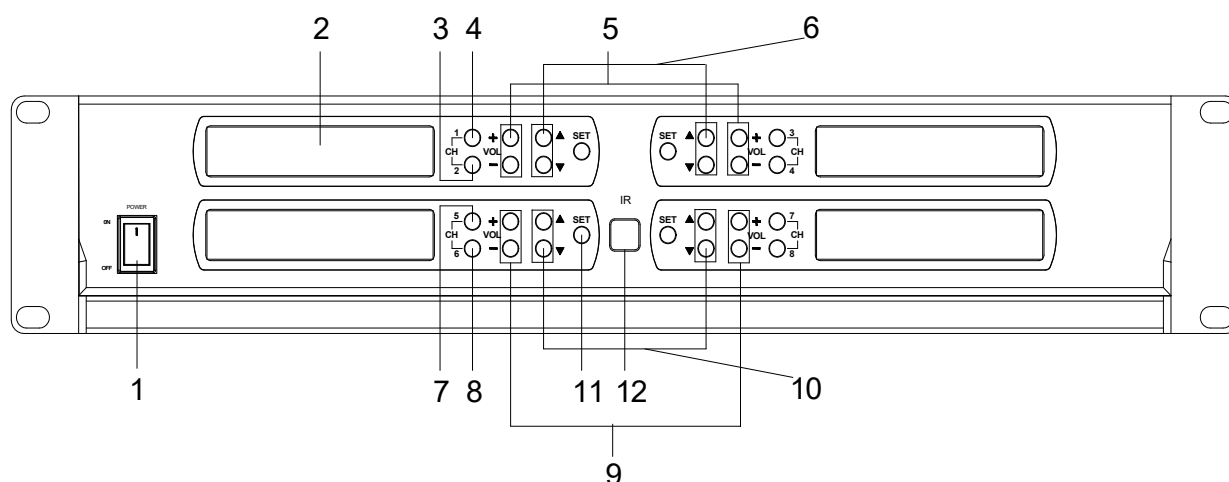
- Eight-channel PLL phase-locked loop design.
- UHF200 channel PLL digital lock automatic communication function.
- Using infrared frequency pairing.
- With a display screen (to display the frequency, channel, squelch, and electrical level).
- With volume adjustment per channel.
- AF output (separate output with the “XLR” connector, and mixed output with the “XLR” connector and microphone jack).

Specifications

System Indicators	Parameters	
Frequency Range	632-695.25MHz	
Modulation Mode	Wideband FM	
Adjustable Range	60MHz	
Number of Channels	200	
Channel Interval	250KHz	
Frequency Stability	Within $\pm 0.005\%$	
Dynamic Range	88dB	
Maximum Frequency Deviation	$\pm 45\text{KHz}$	
Audio Response	120Hz-16KHz ($\pm 3\text{dB}$)	
Comprehensive S/N Ratio	$>73\text{dB}$	
Comprehensive Distortion	$\leq 1\%$	
Operating Temperature	$-10^{\circ}\text{C} - +40^{\circ}\text{C}$	
Effective Range	150-200m (in open environment)	
Package Dimensions (L×W×H)	530×335×330mm	
D5881/D5881L Gross Weight	9kg	
D5882/D5883/D5882L/D5883L Gross Weight	7.4kg	
D5884/D5884L/D5885L Gross Weight	9.6kg	
Wireless Connector	BNC/50Ω	
Sensitivity	$\leq -95\text{dBm}$	
Spurious Suppression	$\geq 75\text{dB}$	
Function Display Mode	Display screen	
Receiver	Operating Power	DC12V, 600mA
Package Dimensions (L×W×H)	530×335×145mm	
Machine Dimensions	430×176×88mm	
Gross Weight	5.2kg	
Net Weight	3.3kg	

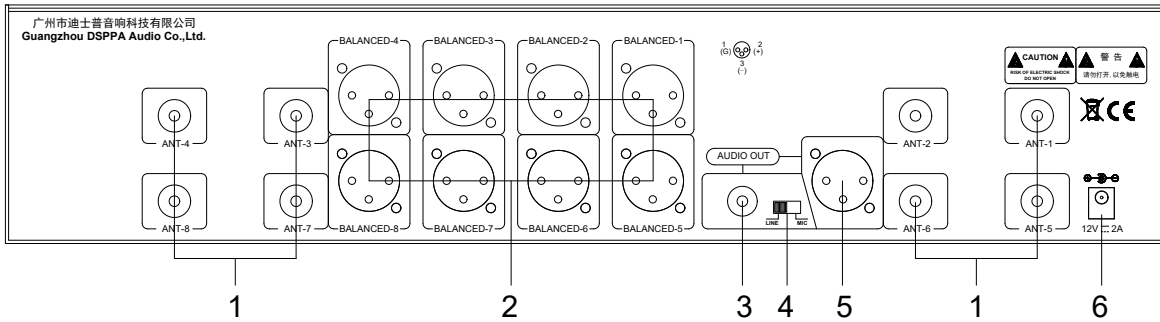
Transmitter							
Transmitter Type	Battery-powered desktop wireless microphone	Desktop wireless microphone (referred to the one in section 5)	Battery-powered handheld wireless microphone	Rechargeable handheld wireless microphone	Battery-powered portable transmitter	Rechargeable portable transmitter	Desktop wireless microphone (referred to the one in section 6)
Antenna Mode	Built-in onboard antenna	Built-in onboard antenna	Built-in onboard antenna	FPC antenna	1/4 wavelength whip antenna	1/4 wavelength whip antenna	FPC antenna
Output Power	High power 14dBm; low power 6dBm	High power 14dBm; low power 6dBm	High power 14dBm; low power 6dBm	High power 14dBm; low power 6dBm	High power 14dBm; low power 6dBm	High power 14dBm; low power 6dBm	High Power 10dBm; low power 2dBm
Spurious Suppression	-60dB	-60dB	-60dB	-60dB	-60dB	-60dB	-60dB
Power Supply Mode	4×AA 1.5V alkaline batteries	3.7V/2000mA lithium battery	2×AA 1.5V alkaline batteries	3.7V/3000mA lithium battery	2×AA 1.5V alkaline batteries	3.7V/3000mA lithium battery	3.7V/3000mA lithium battery
Battery Life	>10 hours at 14dBm; >15 hours at 6dBm	>10 hours at 14dBm; >15 hours at 6dBm	>10 hours at 14dBm; >15 hours at 6dBm	>10 hours at 14dBm; >15 hours at 6dBm	>10 hours at 14dBm; >15 hours at 6dBm	>10 hours at 14dBm; >15 hours at 6dBm	>10 hours at 10dBm; >15 hours at 2dBm
Desktop Microphone Rod Length	420mm	420mm	---	---	---	---	420mm
Function Display Mode	Display screen	Display screen	Display screen	Display screen	Display screen	Display screen	Display screen
Machine Dimensions	151×100×55mm	151×100×55mm	50×265mm (Handheld part diameter ∅ 34~38mm)	35×250mm	110×64×25mm (Excluding antenna length, plus 80mm if included)	95×65×30mm	142*142*65mm
Weight	0.45kg	0.45kg	0.45kg	0.2kg	0.1kg	0.35kg	0.65kg

Receiver Front Panel



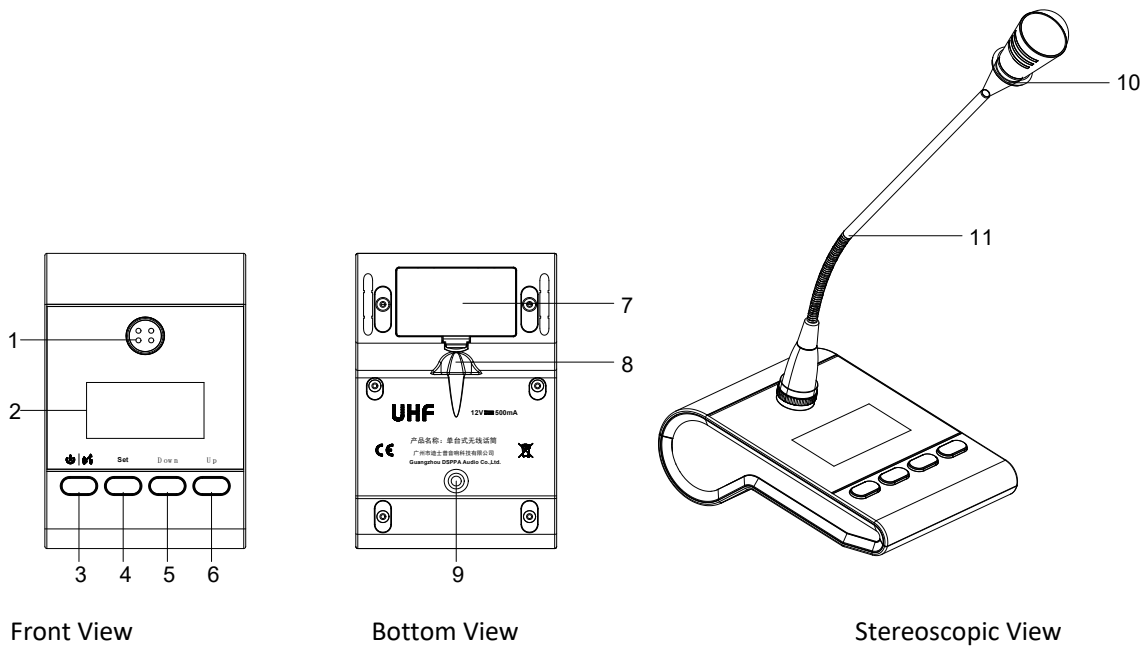
- ① Power Switch (POWER)
- ② Display Screen
- ③ Channel 2 Selection Button and Mode Switching Button (Channel 1 and channel 2 buttons can be used for mode switching of channels 1-4)
 - Short press the button to select the channel 2.
 - Press and hold the Channel 1 button to enter the mode switching function, and short press the Channel 2 button to switch between mode 1 and mode 2 (see “3.8 Receiver Mode 1 and Mode 2 Switching” below for details).
- ④ Channel 1 Selection Button and Mode Switching Button
 - Short press the button to select the channel 1.
 - Press and hold the Channel 1 button to enter the mode switching function, and short press the Channel 2 button to switch between mode 1 and mode 2 (see “3.8 Receiver Mode 1 and Mode 2 Switching” below for details).
- ⑤ Channels 1-2 Volume Control (+) and (-)
- ⑥ Channels 1-2 Frequency Up and Down Buttons
- ⑦ Channel 5 Selection Button and Mode Switching Button (Channel 5 and channel 6 buttons can be used for mode switching of channels 5-8)
 - Short press the button to select the channel 5.
 - Press and hold the Channel 5 button to enter the mode switching function, and short press the Channel 6 button to switch between mode 1 and mode 2 (see “3.8 Receiver Mode 1 and Mode 2 Switching” below for details).
- ⑧ Channel 6 Selection Button and Mode Switching Button (Channel 5 and channel 6 buttons can be used for mode switching of channels 5-8)
 - Short press the button to select the channel 6.
 - Press and hold the Channel 5 button to enter the mode switching function, and short press the Channel 6 button to switch between mode 1 and mode 2 (see “3.8 Receiver Mode 1 and Mode 2 Switching” below for details).
- ⑨ Channels 5-6 Volume Control (+) and (-)
- ⑩ Channels 5-6 Frequency Up and Down Buttons
- ⑪ SET Button
- ⑫ Infrared Frequency Pairing Part (used with the SET button to transmit the channel parameters to the transmitter)

Receiver Rear Panel



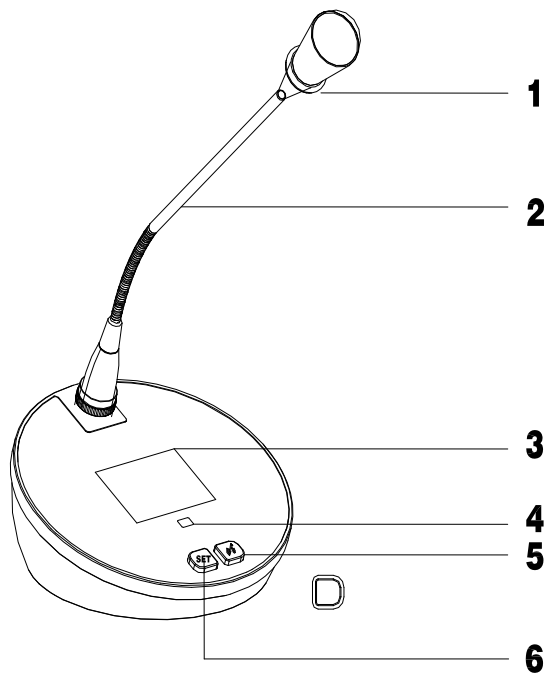
- ① 650M-700M Antenna Input Connector
- ② AF Channels 1-8 Output Port (using “XLR” connector, for separate output of 8-channel signals)
- ③ AF Mixing Output Microphone Jack (mix eight signals for output)
- ④ Mixing Output Amplitude Adjustment Switch (only for “MIXOUT” microphone jack, set to LINE for 60mV, set to MIC for 7mV)
- ⑤ AF Mixing Output XLR Connector (mix eight signals for output)
- ⑥ Power Input Connector (DC12V/2A)

Desktop Wireless Microphone Functions

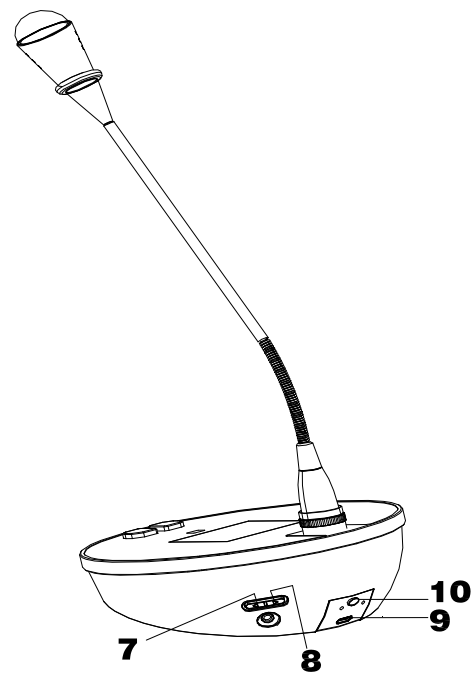


- ① 4-Pin Connector for Connecting the Microphone Rod and Base
- ② Display Screen
- ③ Power Switch Button/Speak Button
- ④ SET Button
- ⑤ Down Button (DOWN)
- ⑥ Up button (UP)
- ⑦ Battery Cover (put 4 AA batteries)
- ⑧ DC12V DC Power Input (TYPE-C charging connector and indicator for the rechargeable microphone)
- ⑨ IR Infrared Frequency Pairing Window
- ⑩ Microphone Head Light Ring
- ⑪ Microphone Rod

Desktop Wireless Microphone Functions



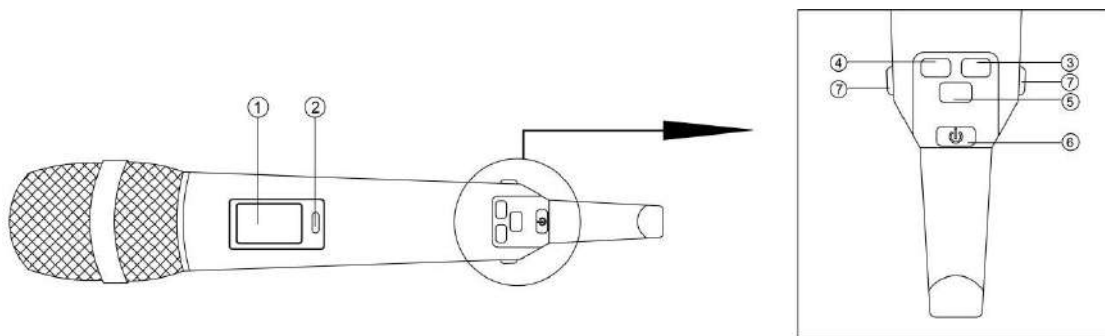
Front View



Back View

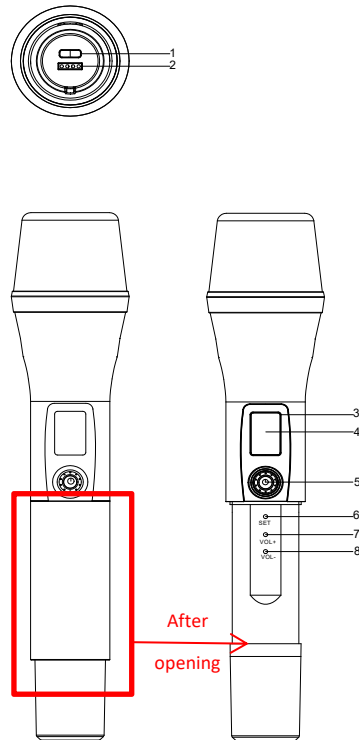
- | | |
|---|------------------------------|
| 1. Microphone Head Light Ring | 6. SET Button |
| 2. Microphone Rod | 7. VOL "-" Button |
| 3. 2.4" TFT Color Screen | 8. VOL "+" Button |
| 4. IR Infrared Frequency Pairing Window | 9. TYPE-C Charging Connector |
| 5. Speak Button | 10. Microphone On/Off Button |

Battery-Powered Handheld Wireless Microphone Functions



1. Display Screen (to display channel frequency, channel, and power)
2. Infrared Frequency Pairing Part (used with the "SET" button of the receiver to transmit channel parameters to the transmitter)
3. Up Button (to set volume level, switch between high and low power, and lock/unlock)
4. Down Button (to set volume level, switch between high and low power, and lock/unlock)
5. SET Button (to switch among volume VOLO5, PA reception enhancement, and LOCK function screens. Press the up or down button on the current screen to adjust the parameters of the current function.)
6. Touch Power Switch (in the off state, press once to power it on; in the on state, press and hold for 3 seconds to power it off.)
7. Battery Circlip Button (Press and hold the buttons on both sides at the same time with your left hand, and pull the bottom of the microphone slightly with your right hand to pull out the battery compartment.)

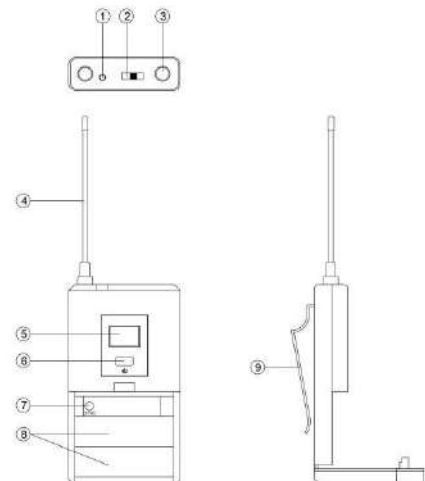
Rechargeable Handheld Wireless Microphone Functions



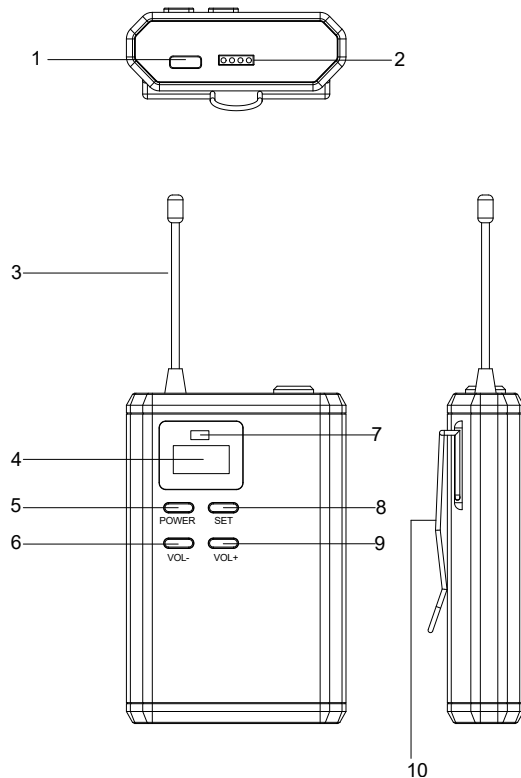
1. TYPE-C Charging Port (compatible with most mobile phone chargers on the market)
2. Desktop Charger Charging Port (align the bottom contact with the U-band wireless system-specific charging box for charging)
3. Display Screen (to display channel frequency, channel, power and volume)
4. Infrared Frequency Pairing Part (used with the "SET" button of the receiver to transmit channel parameters to the transmitter)
5. Power Switch (in the off state, press and hold for 3 seconds to power it on; in the on state, press and hold for 3 seconds to power it off.)
6. SET Button (for LOCK, high and low power switching, and channel mode switching)
7. VOL+ (to set volume level, switch between high and low power, lock/unlock, and switch between channel modes)
8. VOL- (to set volume level, switch between high and low power, lock/unlock, and switch between channel modes)

Battery-Powered Portable Transmitter Functions

1. Status Indicator
2. Gain Adjustment
3. Microphone Input Jack
4. Antenna (1/4 Wavelength Whip Transmitting Antenna)
5. Display Screen (to display current working channel and battery level)
6. Power Switch
7. Infrared Frequency Pairing Part (used with the "SET" button of the receiver to transmit channel parameters to the transmitter)
8. Battery Compartment
9. Waist-Mounted Clip (to attach the mini microphone to the belt)



Rechargeable Portable Transmitter Functions



1. TYPE-C Charging Port (align the bottom contact with the U-band wireless system-specific charging box for charging)
2. Desktop Charger Charging Port (align the bottom contact with the U-band wireless system-specific charging box for charging)
3. Antenna (1/4 Wavelength Whip Transmitting Antenna)
4. Display Screen (to display current working channel and battery level)
5. Power Switch (in the off state, press and hold for 3 seconds to power it on; in the on state, press and hold for 3 seconds to power it off.)
6. VOL- (to set volume level, switch between high and low power, lock/unlock, and switch between channel modes)
7. Infrared Frequency Pairing Part (used with the "SET" button of the receiver to transmit channel parameters to the transmitter)
8. SET Button (for LOCK, high and low power switching, and channel mode switching)
9. VOL+ (to set volume level, switch between high and low power, lock/unlock, and switch between channel modes)
10. Waist-Mounted Clip (to attach the mini microphone to the belt)