

DSP3010H 200W

All-Weather Compact Coaxial Horn Loudspeaker



Description

The DSP3010H is a compact, coaxial-driver, 2-way, highly weather-resistant PA loudspeaker system which is ideal for speech and music-fill in a wide variety of applications, including sports facilities, racetracks, stadiums, fairgrounds, rodeos, skating rinks, themed entertainment venues, cruise ships, water parks, outdoor background music/paging systems, swimming pools, and a wide variety of other outdoor or indoor venue types.

Features

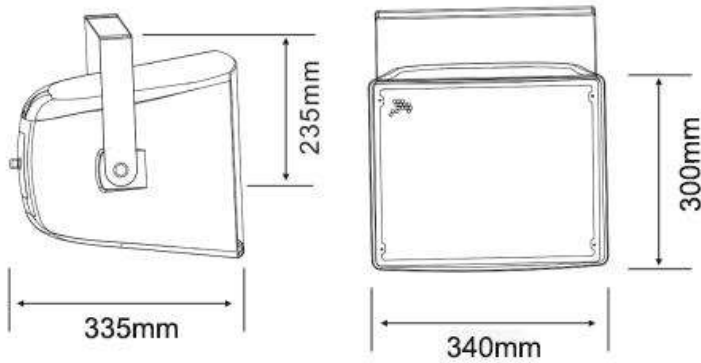
- Water resistance: high-strength ABS material appearance, aluminum mesh.
- High-quality sound, beautiful music, coaxial-driver design, 2-way speaker.
- Long transmission distance, small size, loud and clear speaker, Peak power: 300W, sound beam angle: <math><90-100^\circ</math>.

Specifications

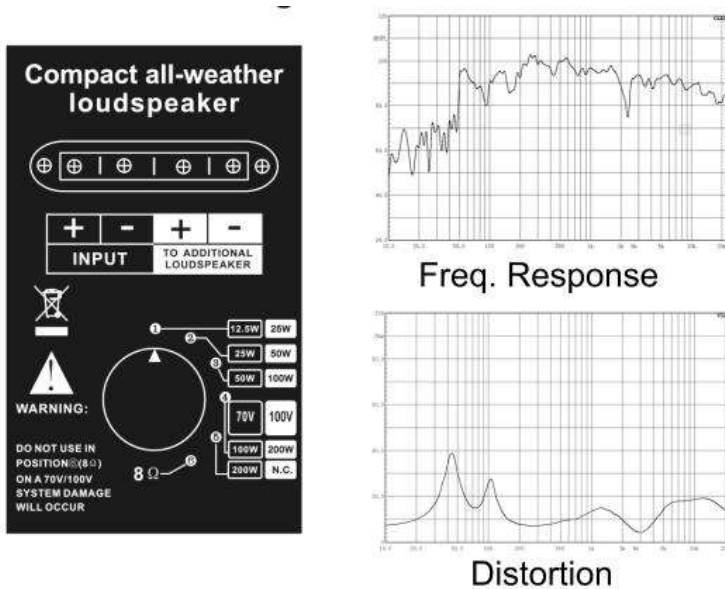
Model	DSP3010H
Rated Power	200W
Peak Power	300W
Sensitivity(dB)	93±3dB
Freq. Response (Hz)	85Hz-15kHz
Max. SPL	117±3dB
Coverage Angel (1KHz/-6dB)	90-100°
Input	70V/100V/8Ω

Dimension(H*W*D)	300×340×335mm
Net Weight	13.5kg
Color	Black

Product Information

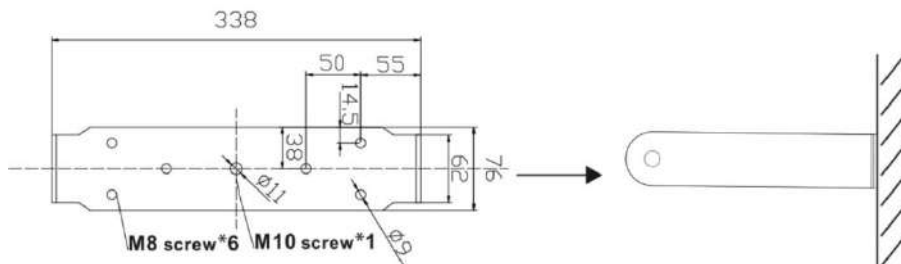


Connection Diagram

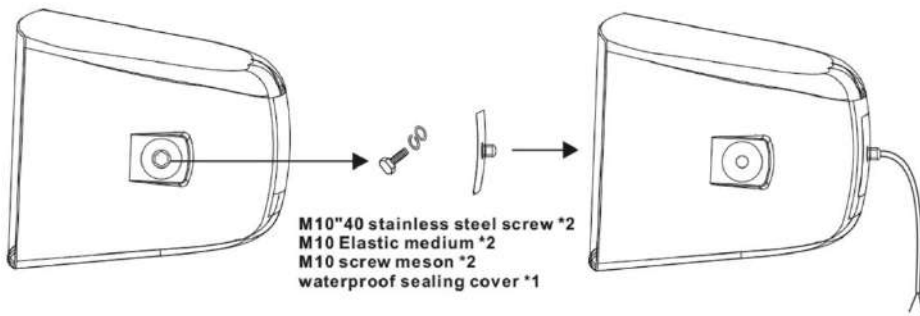


Installation Step

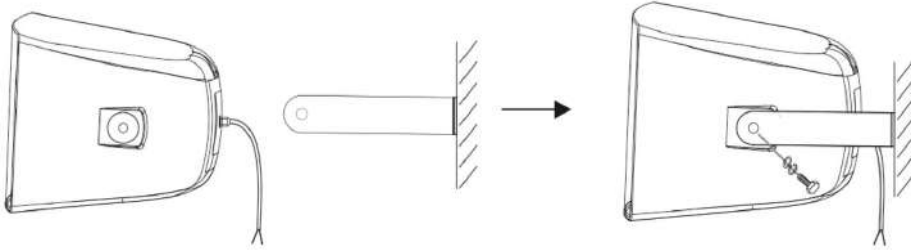
1. Mounting the stable bracket



2. Remove the screws on the horn box for spare use and remove the waterproof seal cover. Connect with the wiring diagram according to the customer's needs, and tighten the seal cover after connection.



3. Combine the horn speaker with the wall bracket



4. Please confirm the mounting stable.

