

D6235

Embedded Chairman Discussion & Voting Unit



Description

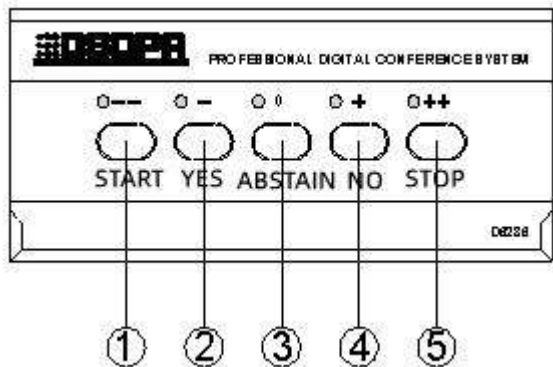
D6235 embedded chairman voting unit is a professional conference system voting unit with sensitive buttons and easy to operate. Not only does it have elegant and space-saving design that can satisfy the need of different customers, but also with strong anti-interference capability. It can be integrated with the D6201 series of conference systems to form a comprehensive solution for high-quality conference systems.

Features

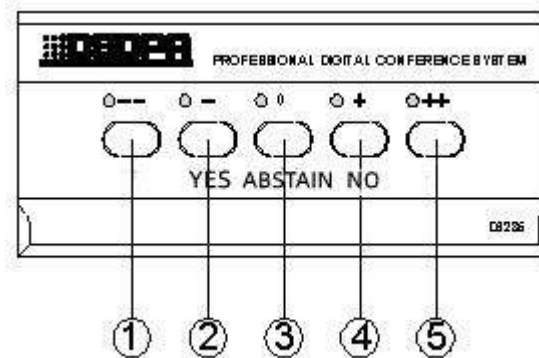
- A pure voting conference unit.
- Exquisite embedded structure design.
- With super strong anti-interference capability.
- With button sign-in function.
- With a unique ID for each conference unit.
- The unit is a passive device, powered by the system host, with the input voltage of 24V.
- Through the host settings, the chairman unit has the priority functions to initiate and stop a voting.
- The connection position of the chairman unit is not restricted.

Specifications

Model	D6235
Stand-by Power Consumption	<1W
Max Power Consumption	2W
Working Power	DC 24V
Interface Type	8-pin DIN
Dimensions	130x45mm
Net Weight (with Mic Pole)	1kg



Top View of Chairman Unit



Top View of Delegate Unit

1. “- -” Button

- Used to initiate voting for the chairman unit; no function for the delegate unit.
- Used to number the unit when numbering unit.
- Used with the PC software for rating operation, please refer to the user manual of the PC software for specific operation methods.

2. “-” Button

- Used to vote.
- Used with the PC software for rating operation.

3. “0” Button

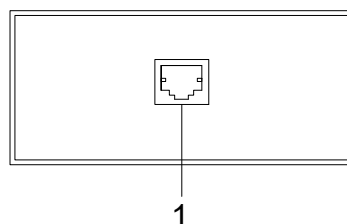
- Used to vote.
- Used with the PC software for rating operation.

4. “+” Button

- Used to vote.
- Used with the PC software for rating operation.

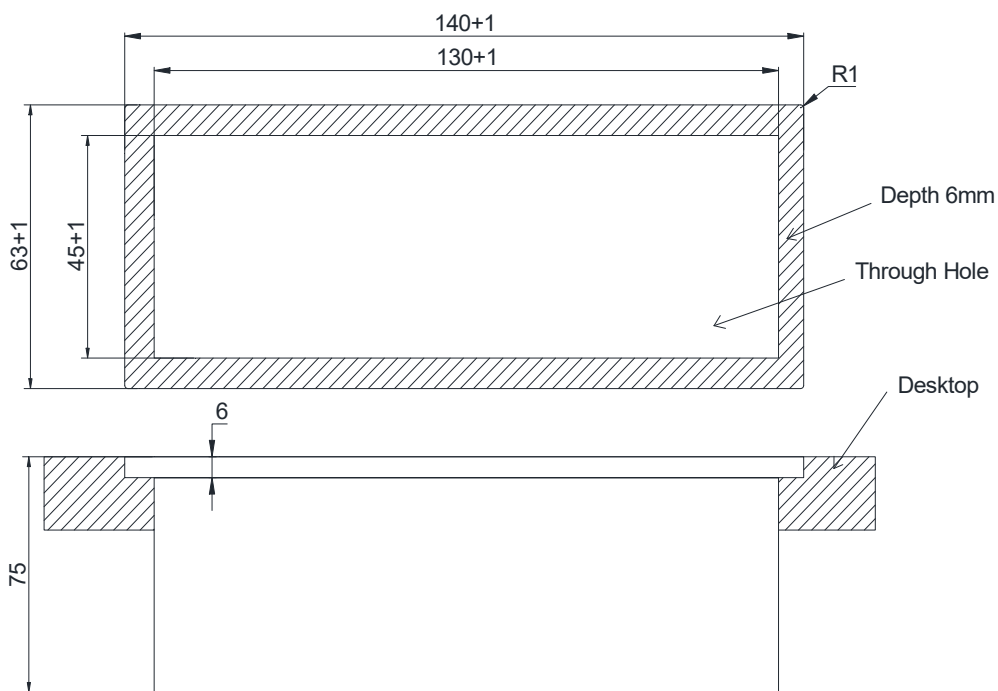
5. “+ +” Button

- Used to end a voting / return for the chairman unit; no function for the delegate unit.
- Used with the PC software for rating operation.



1. RJ45 Jack

- Connect the channel A of the CH1 or CH2 of the audio interface box.



D6235/D6236 Mounting Hole Size Drawing